

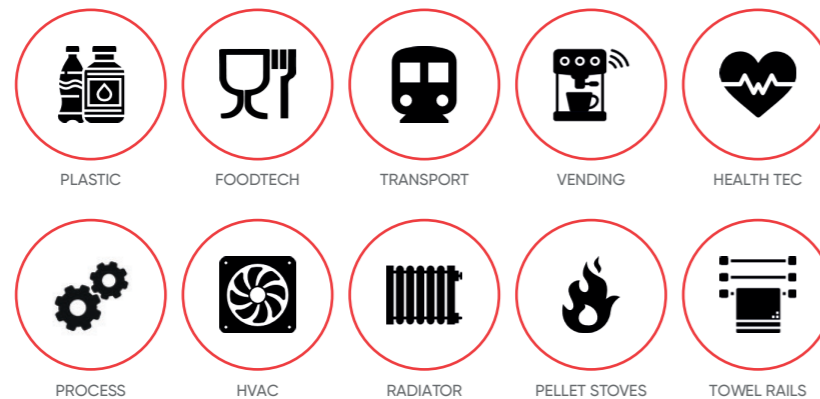


As from 1978, year of its foundation, HT produces heating elements for industrial and domestic applications.



Many years have passed since 1978, but HT has never forgotten its mission: to offer innovative, targeted and efficient solutions!

HT suppliers customers from all over the world in the following industries:



HT Spa
 Via Friuli, 79 - 31020 San Vendemiano (TV) - Italy
 DOMESTIC SALES - Tel. +39 0438 454294 - vendite@htspa.it
 EXPORT SALES - Tel. +39 0438 454290 - sales@htspa.it
 Fax +39 0438 62788
www.htspa.it

HT Heizelemente Deutschland GmbH
 Humboldtstraße 3, 60318 Frankfurt am Main
 Tel: +49 5207 99 12 29 0 - Fax: +49 5207 99 12 29 19
 info@ht-heizelemente.de
www.ht-heizelemente.de

HT SpA reserves the right to change at any time specification and other information included in this catalogue without notice.



HEAT EXCHANGER



www.htspa.it

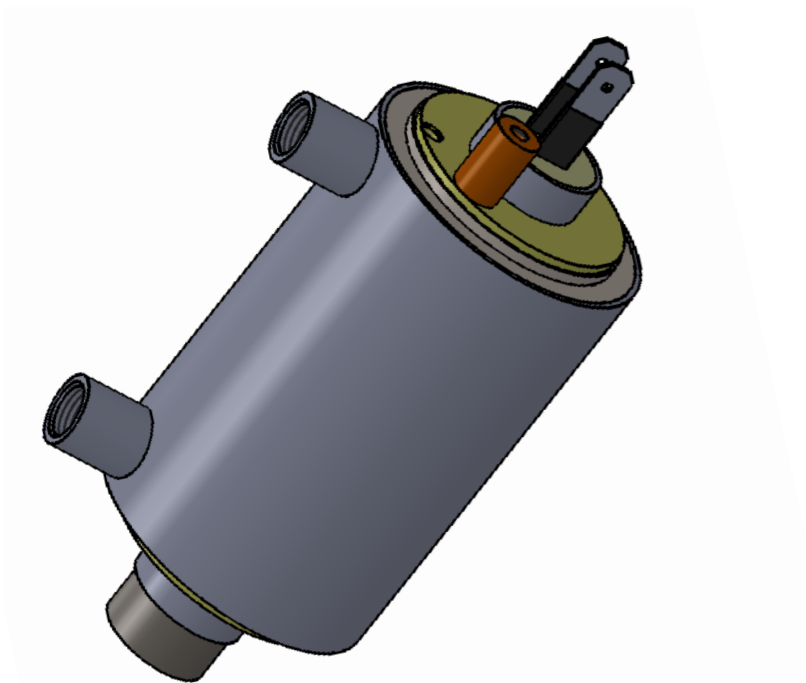
HEAT EXCHANGER

The HT's heat exchanger is ideal when it is necessary to optimize the heat exchange between the cartridge heater and the fluid. This heat exchanger is used in household coffee machines for espresso coffee and cappuccino, and medical / dental systems for water sterilization and heating.

Benefit:

- Fast heat exchange
- Heating on demand
- Energy efficient

INOX HEAT EXCHANGER



Features:

- Material Inox suitable for food industry.
- Max work Temperature: 250°C
- Max work pressure: 10 bar
- Capacity L 97 mm: H₂O 30gr-386gr

CODE	DIMENSION Ø	WATT	VOLTAGE
SP96273	44x61	1000	230

ALUMINIUM HEAT EXCHANGER

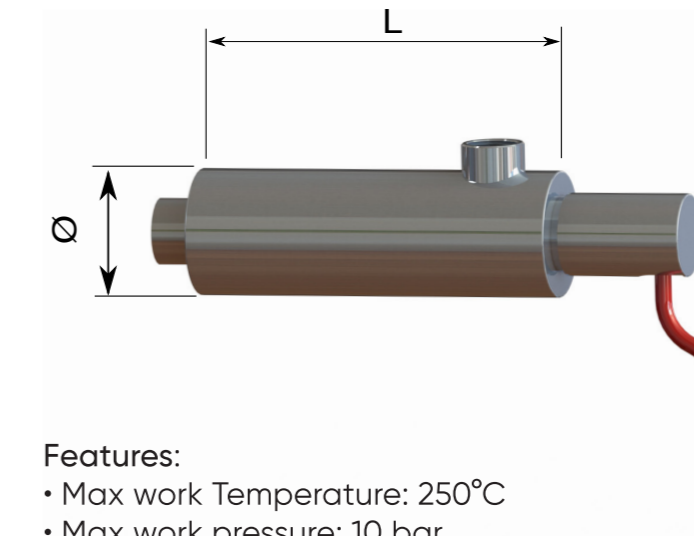


Features:

- Material Aluminium Anticorodal suitable for food industry
- Max work Temperature: 200°C
- Max work pressure: 6 bar
- Capacity L76 mm: 16 ml - 530 gr

CODE	DIMENSION Ø	WATT	VOLTAGE
SP92461	58x53	800	120
SP92462	58x53	800	230
SP92465	58x53	1000	120
SP92466	58x53	1000	230
SP92460	58x76	1000	120
SP92463	58x76	1000	230
SP92455	58x76	1200	120
SP92456	58x76	1200	230
SP96274	58x76	1500	120
SP96275	58x76	1500	230
SP96276	58x76	2000	120
SP96277	58x76	2000	230

VAPORIZER VERSION



Features:

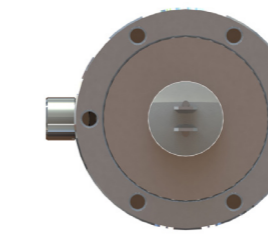
- Max work Temperature: 250°C
- Max work pressure: 10 bar

CODE	L (mm)	L1 (mm)	WATT	VOLT
SP76833	224	330	1000	400
SP76834	224	330	1000	230
SP76835	534	640	3000	400
SP76836	152	195	2000	400

ON REQUEST



On request we can supply aluminium heat exchanger with UL/CSA approval.



We develop customized aluminium heat exchanger with bores for sensor: thermostat, PT100, PT1000, thermocouple.



We develop also customized inox and aluminium heat exchanger with cables.